

Sheet List

| Sheet Number | Sheet Name   |
|--------------|--|
| G-0          | COVER SHEET  |
| IC-0         | LEGEND AND ABBREVIATIONS   |
| IC-1         | 100% OUTSIDE AIR - PREHEAT, COOLING CONTROL DIAGRAM                        |
| IC-2         | 100% OUTSIDE AIR - PREHEAT, COOLING, HUMIDIFIER, FAN ARRAY CONTROL DIAGRAM |
| IC-3         | 100% OUTSIDE AIR - ENERGY RECOVERY, PREHEAT, COOLING CONTROL DIAGRAM       |
| IC-4         | 100% OUTSIDE AIR - PREHEAT, HEAT PIPE, COOLING, HUMIDIFIER CONTROL DIAGRAM |
| IC-5         | MIXED AIR - COOLING, REHEAT CONTROL DIAGRAM                                |
| IC-6         | MIXED AIR - COOLING CONTROL DIAGRAM  |
| IC-7         | MIXED AIR - PREHEAT, COOLING CONTROL DIAGRAM                               |
| IC-8         | CHILLED WATER - BUILDING PUMPING CONTROL DIAGRAM                           |
| IC-9         | FCU - HEATING, COOLING CONTROL DIAGRAM                                     |
| IC-10        | FCU - COOLING CONTROL DIAGRAM  |
| IC-11        | HOT WATER HEAT EXCHANGER - SINGLE CONTROL DIAGRAM                          |
| IC-12        | HOT WATER HEAT EXCHANGER - DUAL CONTROL DIAGRAM                            |
| IC-13        | LABORATORY - SUPPLY, EXHAUST, TRACKING CONTROL DIAGRAM                     |
| IC-14        | LABORATORY - SUPPLY, FUME, EXHAUST, TRACKING CONTROL DIAGRAM               |
| IC-15        | VAV TERMINAL UNIT - COOLING ONLY CONTROL DIAGRAM                           |
| IC-16        | VAV TERMINAL UNIT - WITH REHEAT CONTROL DIAGRAM                            |
| IC-17        | EXHAUST SYSTEM - 3 FAN MANIFOLD CONTROL DIAGRAM                            |

# FSU CONTROL STANDARDS

**FSU W.O. 686601/001**



**MOSES & ASSOCIATES**  
**MOSES • LEBO • AKIN • BROOKS • FRASIER**  
**INTELLIGENT BUILDING SYSTEMS ENGINEERING**

# ABBREVIATIONS

|      |                            |
|------|----------------------------|
| BAS  | BUILDING AUTOMATION SYSTEM |
| COND | CONDENSATE                 |
| CHWP | CHILLED WATER PUMP         |
| COMM | COMMUNICATIONS             |
| CHWS | CHILLED WATER SUPPLY       |
| CHWR | CHILLED WATER RETURN       |
| EA   | EXHAUST AIR                |
| F/A  | FIRE ALARM                 |
| FACP | FIRE ALARM CONTROL PANEL   |
| FC   | FAIL CLOSED                |
| FO   | FAIL OPEN                  |
| HHWS | HEATING HOT WATER SUPPLY   |
| HHWR | HEATING HOT WATER RETURN   |
| OA   | OUTSIDE AIR                |
| PRV  | PRESSURE REDUCING VALVE    |
| RA   | RETURN AIR                 |
| SA   | SUPPLY AIR                 |
| VFD  | CARIABLE FREQUENCY DRIVE   |

# LEGEND

|     |                             |
|-----|-----------------------------|
| AMS | AIR MONITORING STATION      |
| CO2 | CARBON DIOXIDE SENSOR       |
| CSR | CURRENT SENSING RELAY       |
| D   | DUCT SMOKE DETECTOR         |
| DP  | DIFFERENTIAL PRESSURE       |
| ES  | DAMPER END SWITCH           |
| FM  | FLOW METER                  |
| FS  | FLOAT SWITCH                |
| HHL | HUMIDITY HIGH LIMIT         |
| HI  | HIGH PRESSURE SAFETY        |
| HS  | HUMIDITY SENSOR             |
| LL  | LOW LIMIT SAFETY            |
| LO  | LOW PRESSURE SAFETY         |
| M   | MOTORIZED ACTIVATOR         |
| CM  | CONDUCTIVITY SENSOR         |
| OS  | OCCUPANCY SENSOR            |
| DC  | DOOR CONTACT SENSOR         |
| PS  | PRESSURE SENSOR             |
| SP  | STATIC PRESSURE SENSOR      |
| T   | THERMOSTAT                  |
| TS  | TEMPERATURE SENSOR          |
| 1   | HIGH/LOW PRESSURE SAFETY    |
| 2   | DAMPER INTERLOCK (ACTUATOR) |
| 3   | DAMPER INTERLOCK (PROOF)    |
| 4   | LOW LIMIT INTERLOCK         |
| 5   | FLOAT SWITCH INTERLOCK      |
| AI  | ANALOG INPUT                |
| AO  | ANALOG OUTPUT               |
| BI  | BINARY INPUT                |
| BO  | BINARY OUTPUT               |

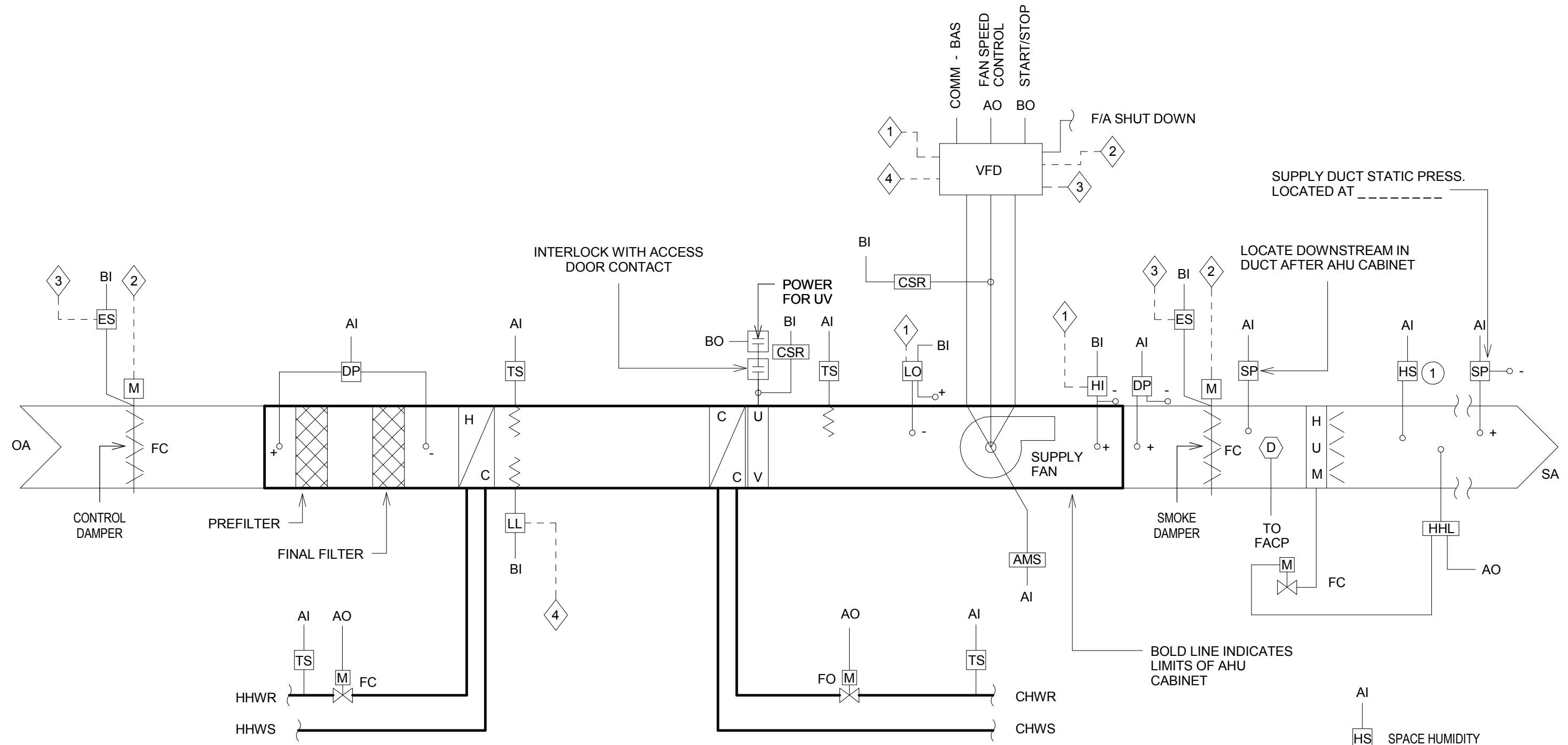
TITLE

DATE

DESIGNED BY

11034

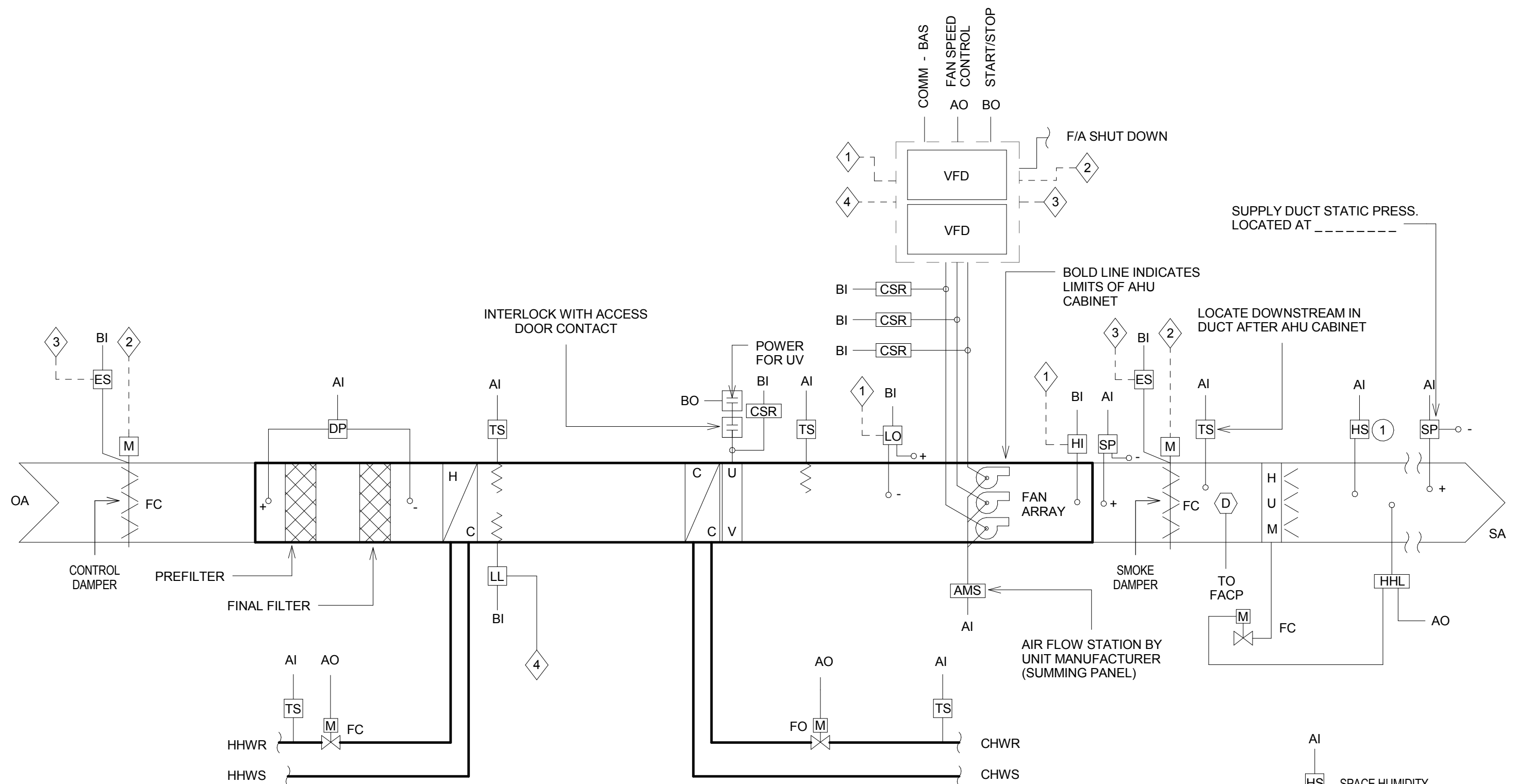
1 MAINTAIN A MINIMUM DISTANCE OF 15 FT DOWNSTREAM OF HUMIDIFIER.



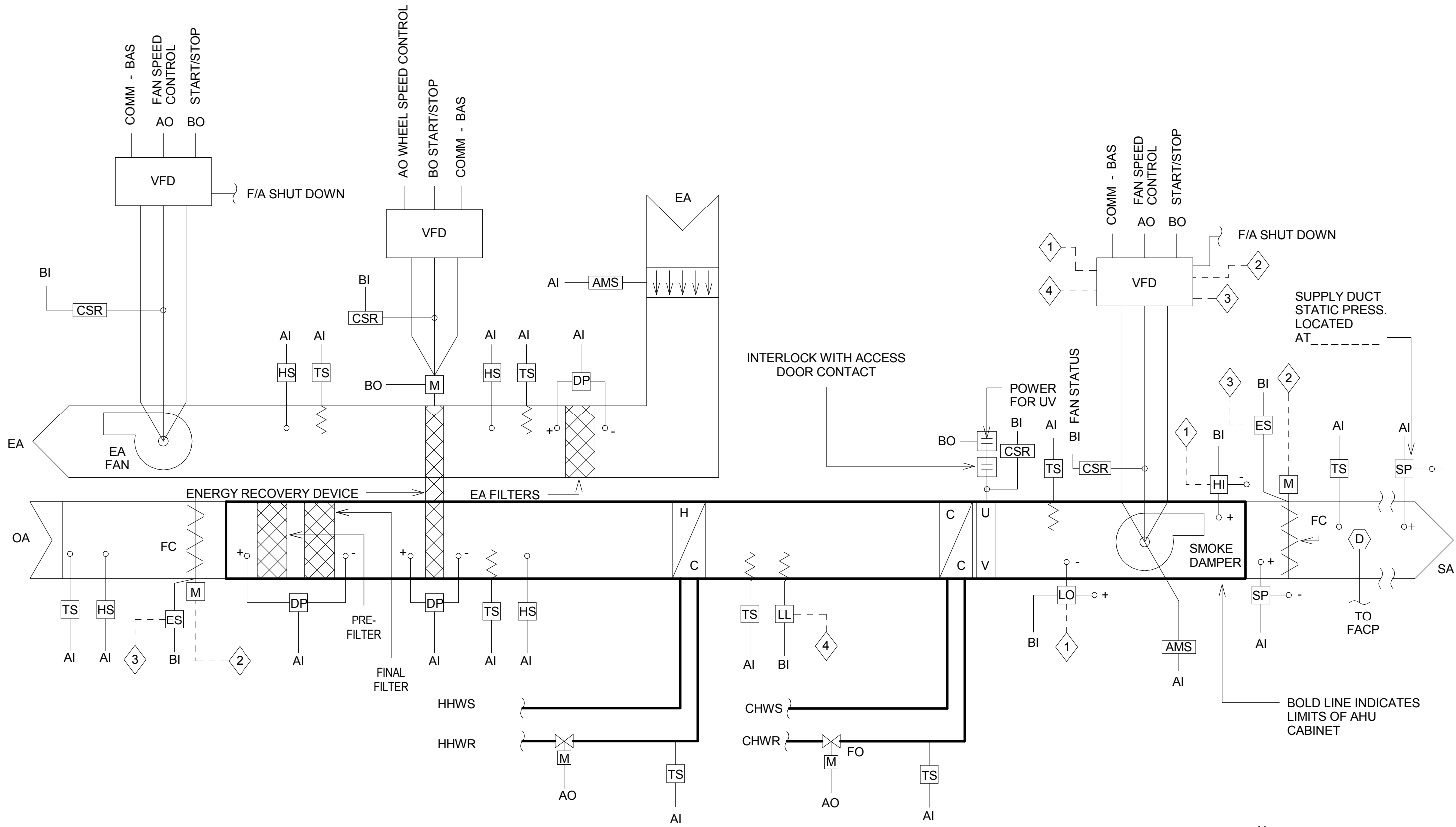
BOLD LINE INDICATES LIMITS OF AHU CABINET

AI HS SPACE HUMIDITY  
 SEE PLANS FOR LOCATION QUANTITY

1 MAINTAIN A MINIMUM DISTANCE OF 15 FT DOWNSTREAM OF HUMIDIFIER.

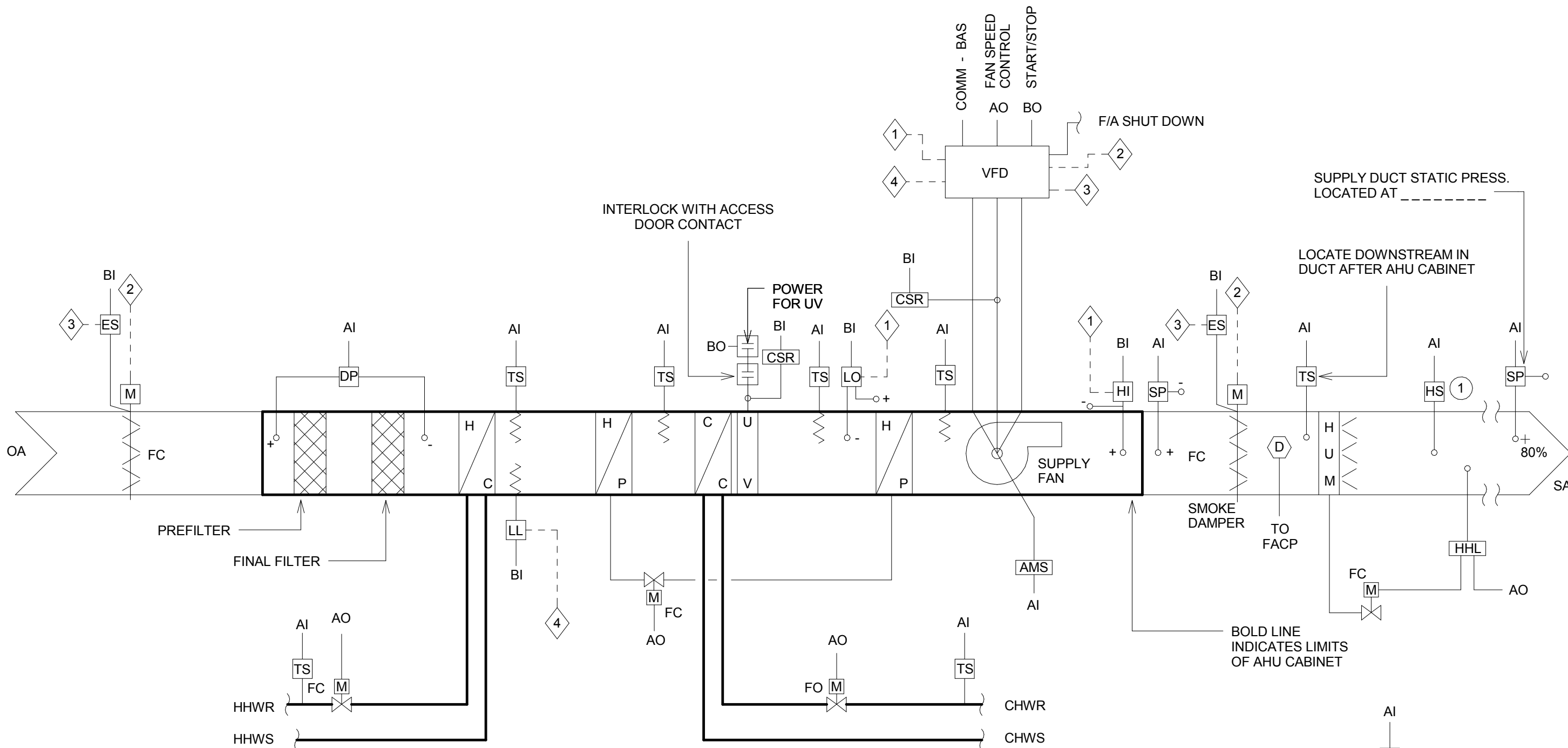


AI HS SPACE HUMIDITY  
 SEE PLANS FOR LOCATION  
 QUANTITY \_\_\_\_\_



AI  
 HS SPACE HUMIDITY  
 SEE PLANS FOR LOCATION  
 QUANTITY \_\_\_\_\_

① MAINTAIN A MINIMUM DISTANCE OF 15 FT DOWNSTREAM OF HUMIDIFIER.

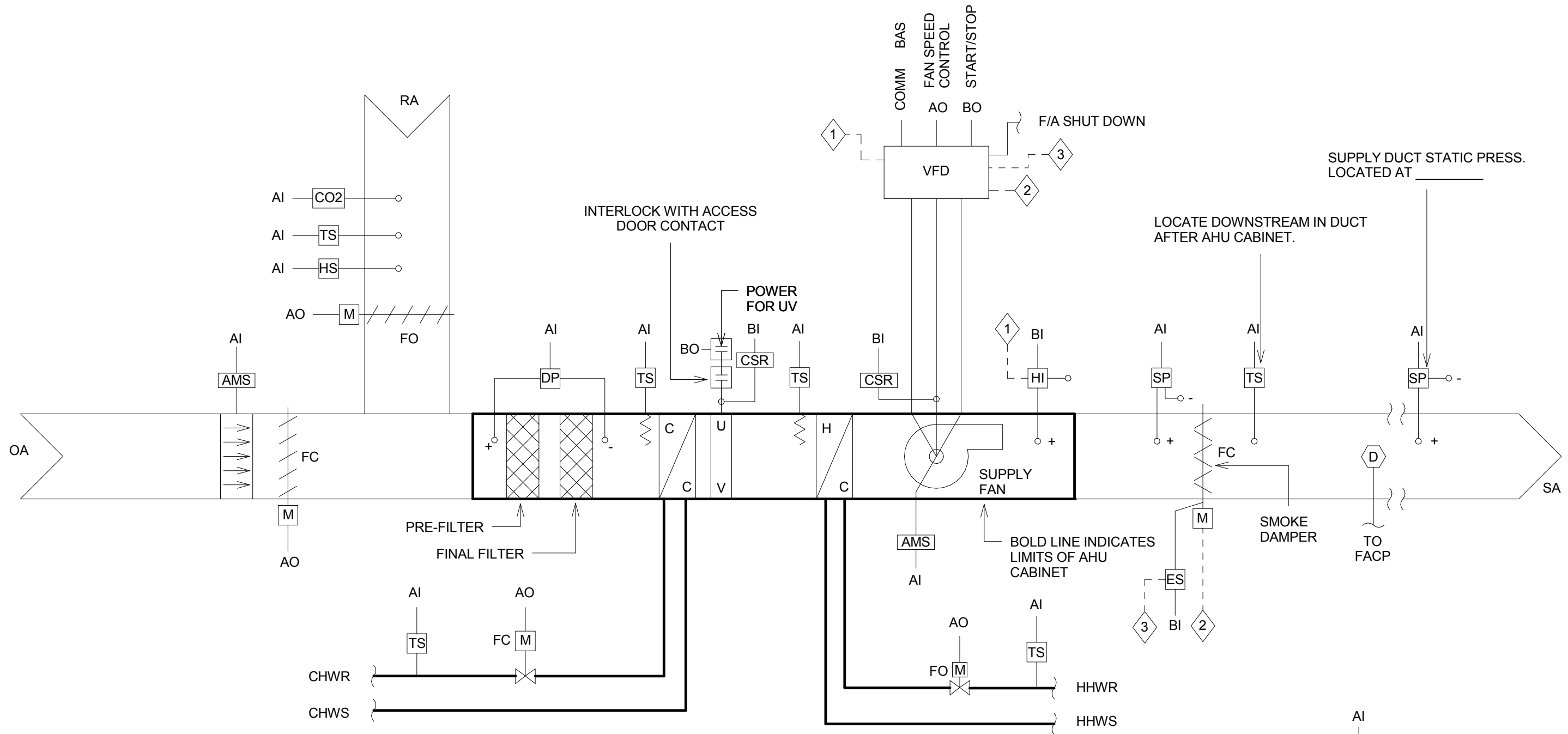


SUPPLY DUCT STATIC PRESS. LOCATED AT \_\_\_\_\_

LOCATE DOWNSTREAM IN DUCT AFTER AHU CABINET

BOLD LINE INDICATES LIMITS OF AHU CABINET

AI HS SPACE HUMIDITY SEE PLANS FOR LOCATION QUANTITY \_\_\_\_\_



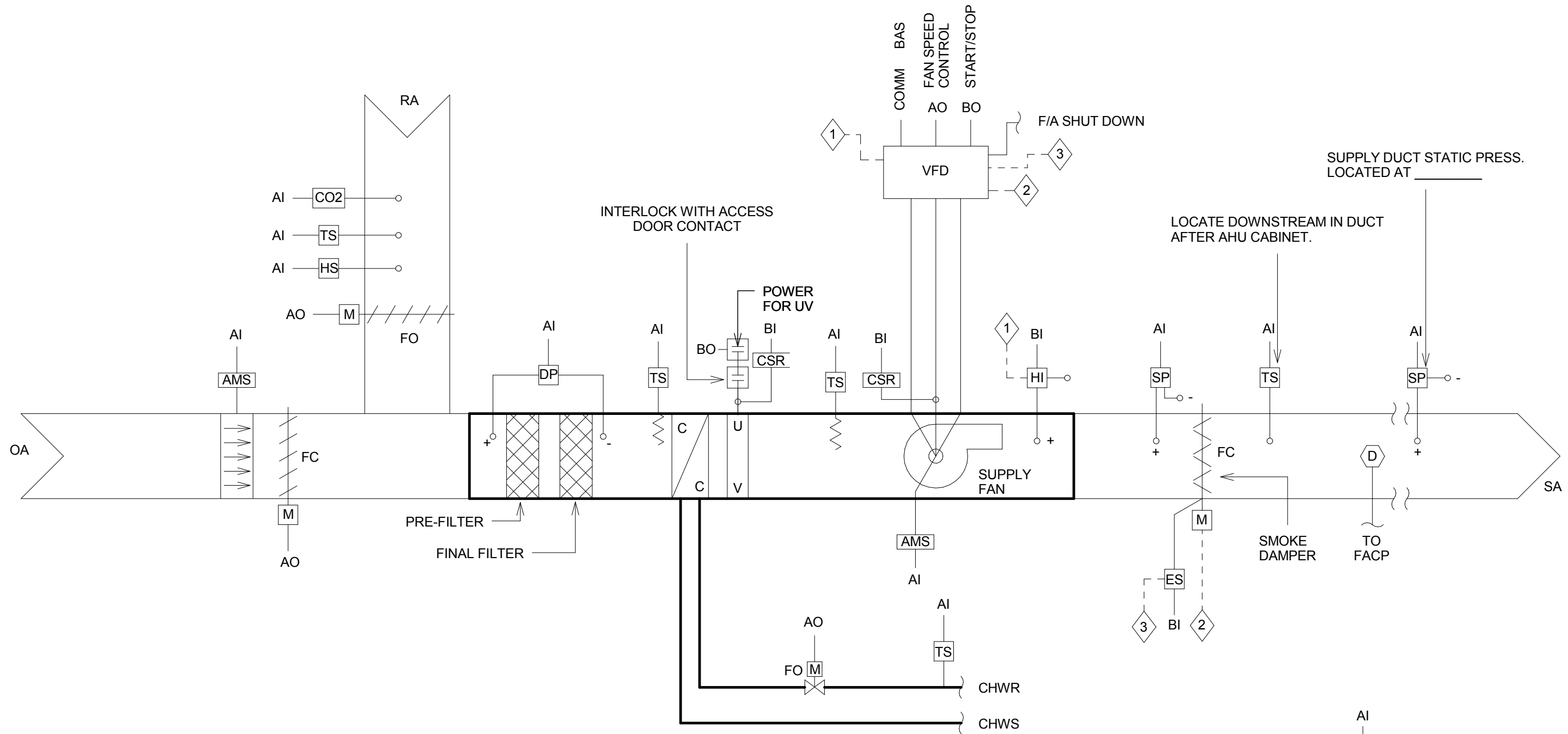
SUPPLY DUCT STATIC PRESS. LOCATED AT \_\_\_\_\_

LOCATE DOWNSTREAM IN DUCT AFTER AHU CABINET.

BOLD LINE INDICATES LIMITS OF AHU CABINET

AI  
HS SPACE HUMIDITY  
SEE PLANS FOR LOCATION  
QUANTITY \_\_\_\_\_

CO SPACE CO2  
SEE PLANS FOR LOCATION  
QUANTITY \_\_\_\_\_



SUPPLY DUCT STATIC PRESS.  
LOCATED AT \_\_\_\_\_

LOCATE DOWNSTREAM IN DUCT  
AFTER AHU CABINET.

AI  
HS SPACE HUMIDITY  
SEE PLANS FOR LOCATION  
QUANTITY \_\_\_\_\_

CO SPACE CO2  
SEE PLANS FOR LOCATION  
QUANTITY \_\_\_\_\_

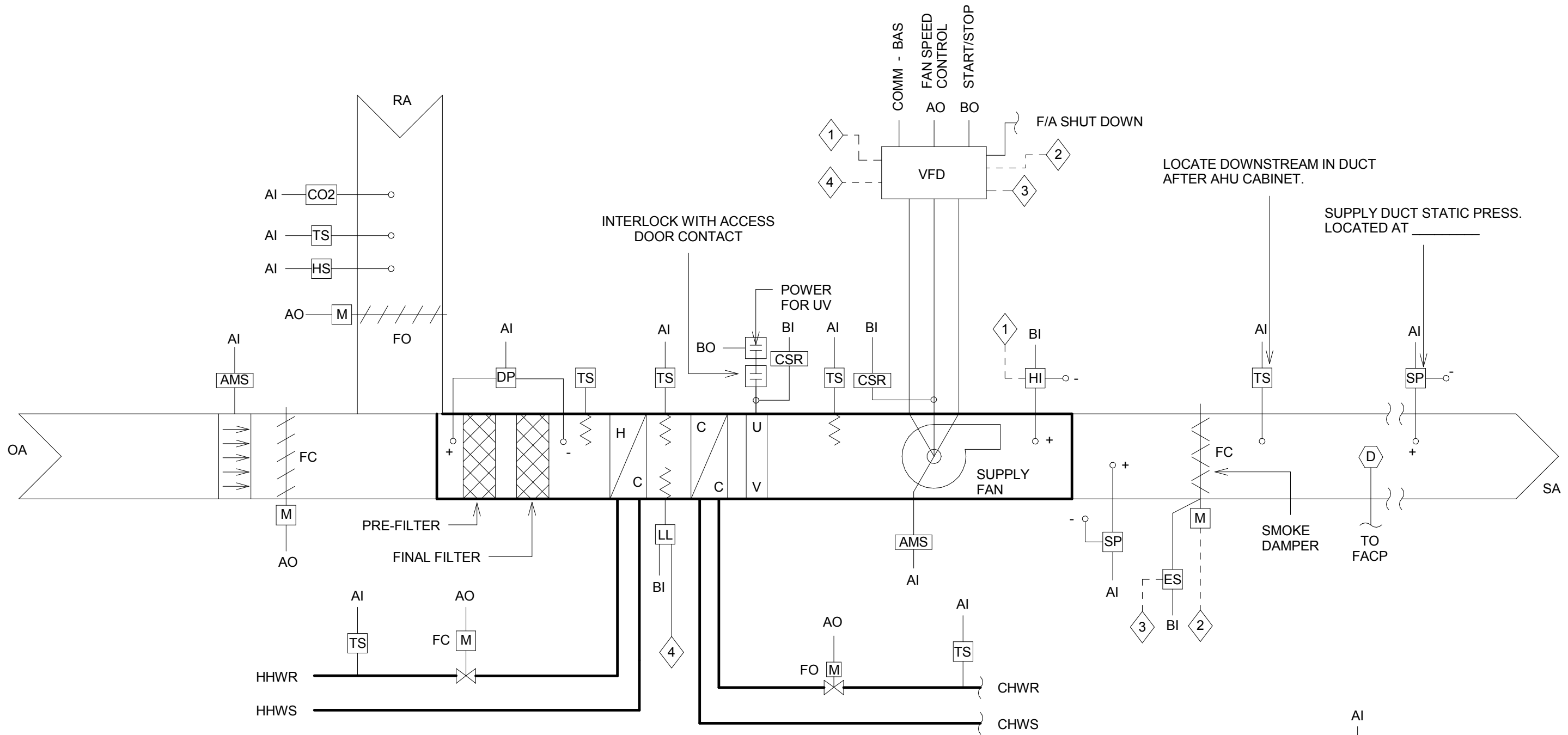
TITLE  
FSU CONTROL STANDARDS  
MIXED AIR - COOLING

DATE  
DESIGNED BY

11034

IC-6



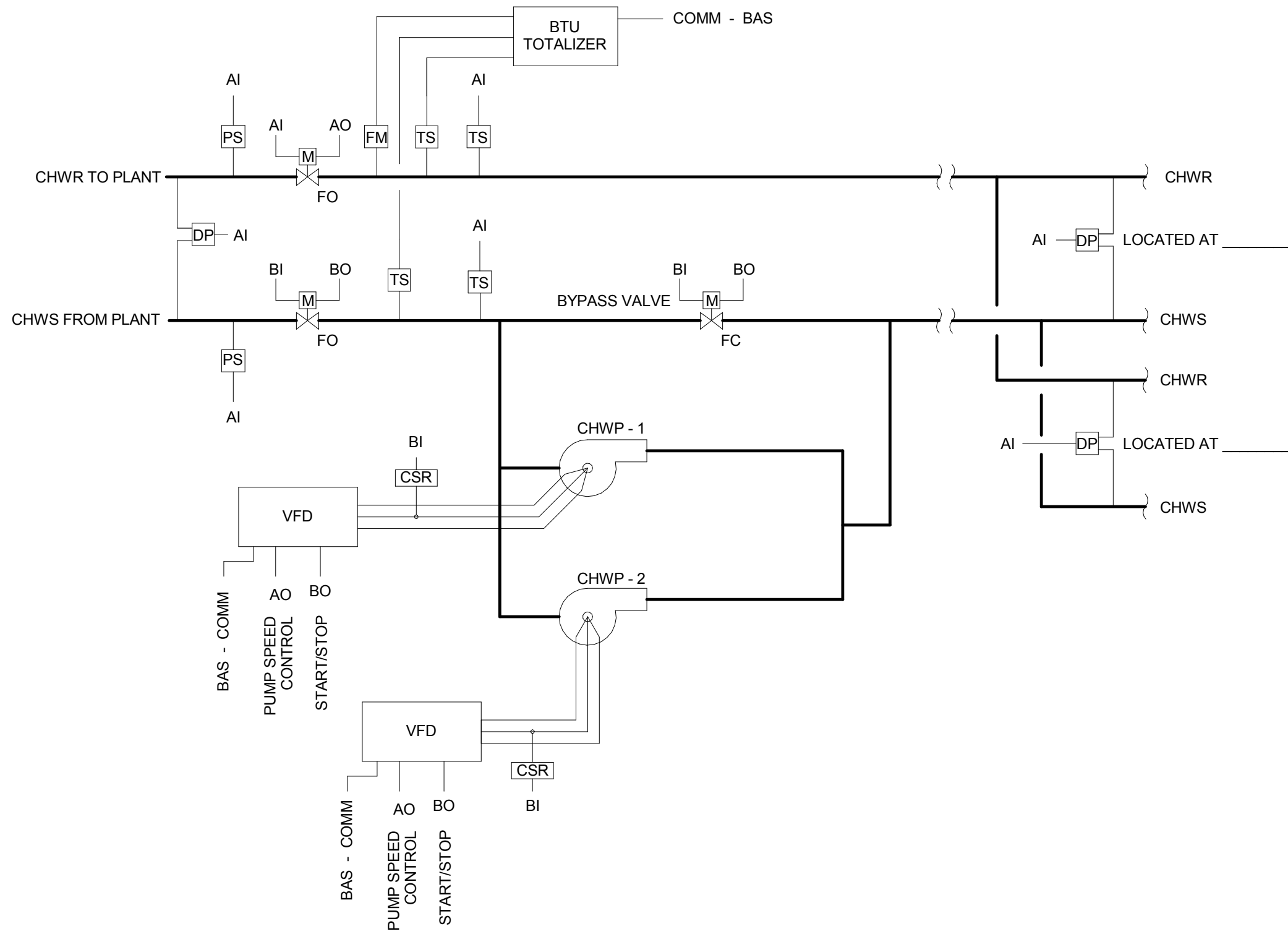


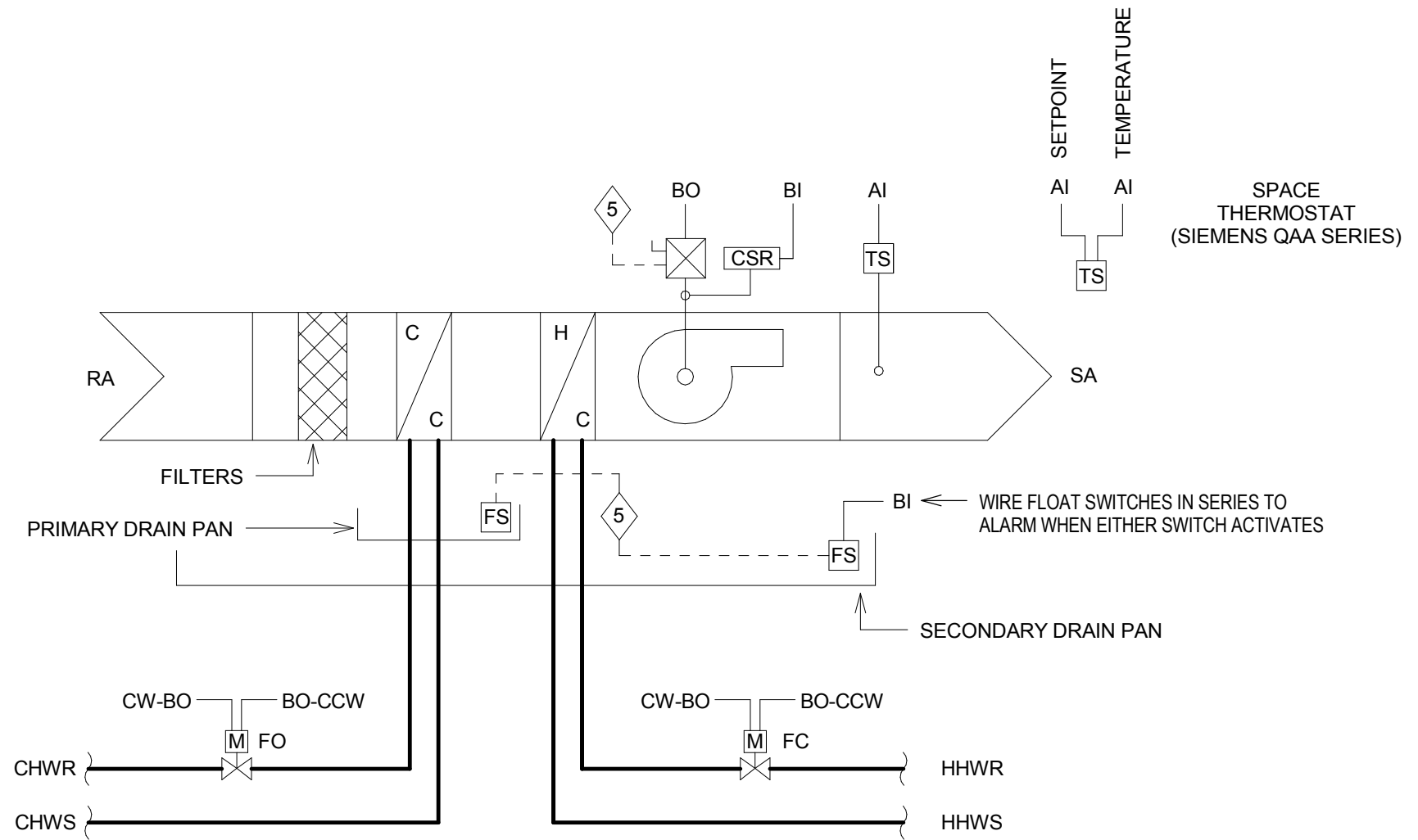
LOCATE DOWNSTREAM IN DUCT AFTER AHU CABINET.

SUPPLY DUCT STATIC PRESS. LOCATED AT \_\_\_\_\_

AI  
HS SPACE HUMIDITY  
SEE PLANS FOR LOCATION  
QUANTITY \_\_\_\_\_

CO SPACE CO2  
SEE PLANS FOR LOCATION  
QUANTITY \_\_\_\_\_





TITLE

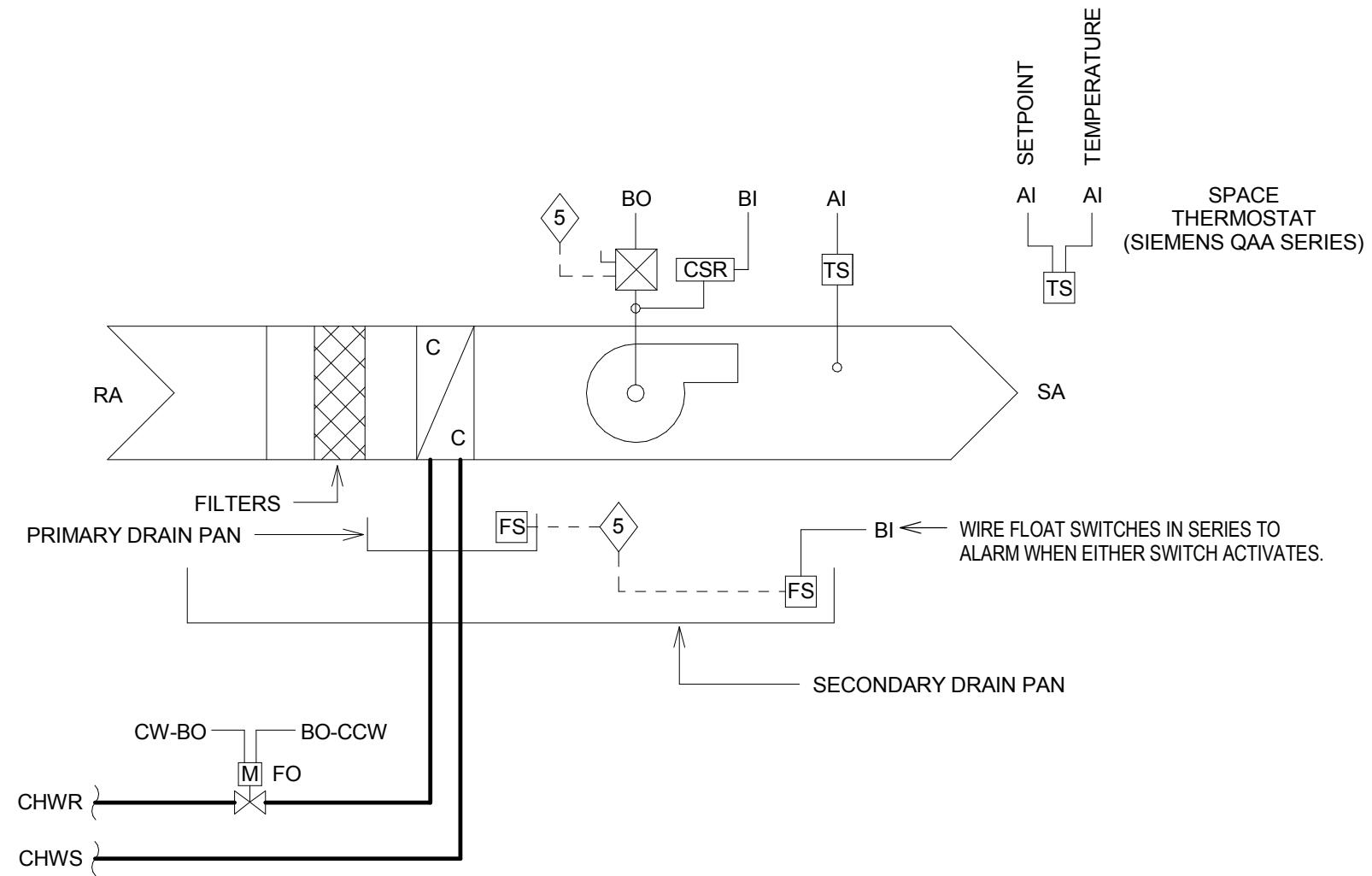
**FSU CONTROL STANDARDS  
FCU - HEATING / COOLING**

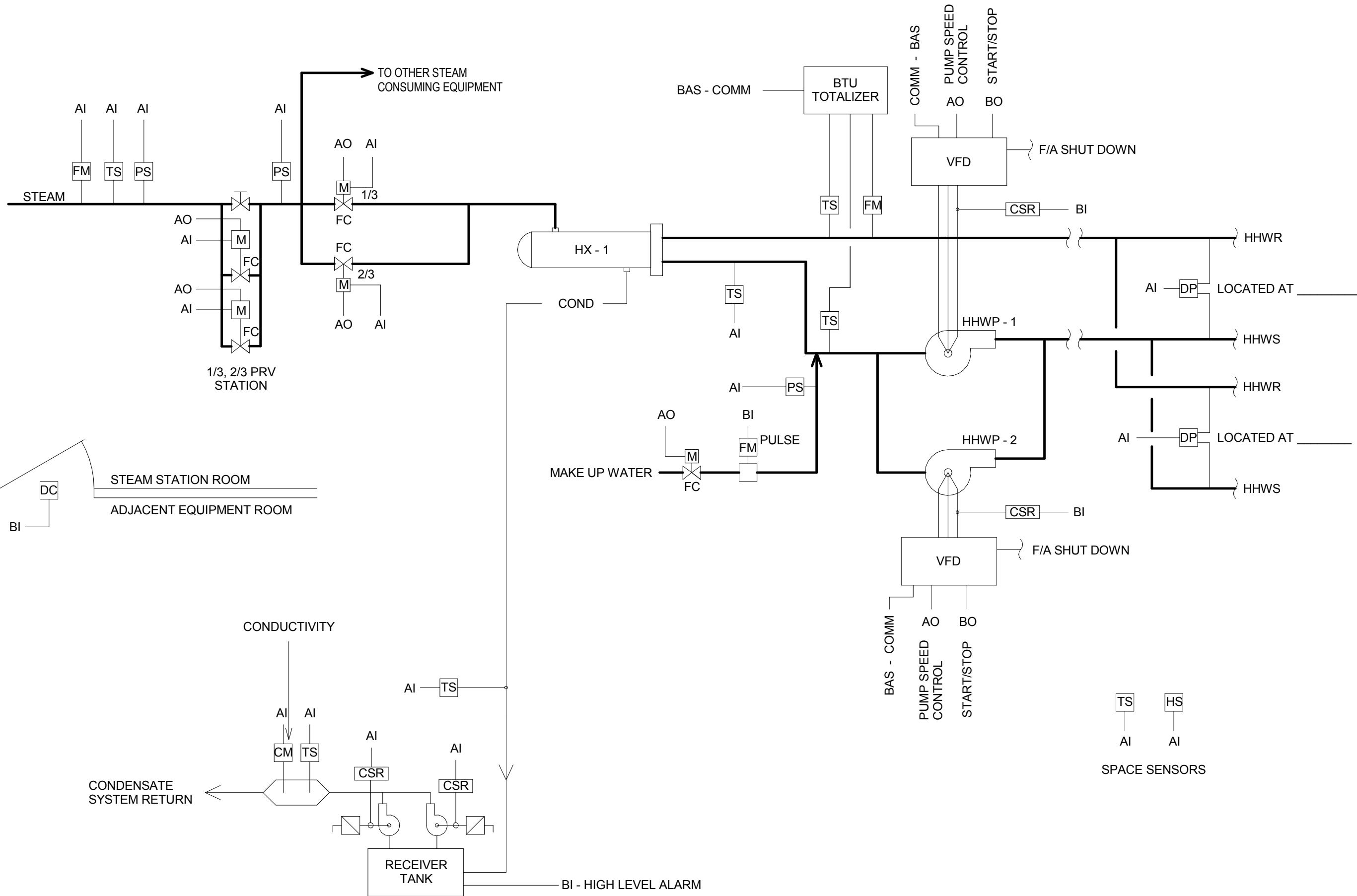
DATE

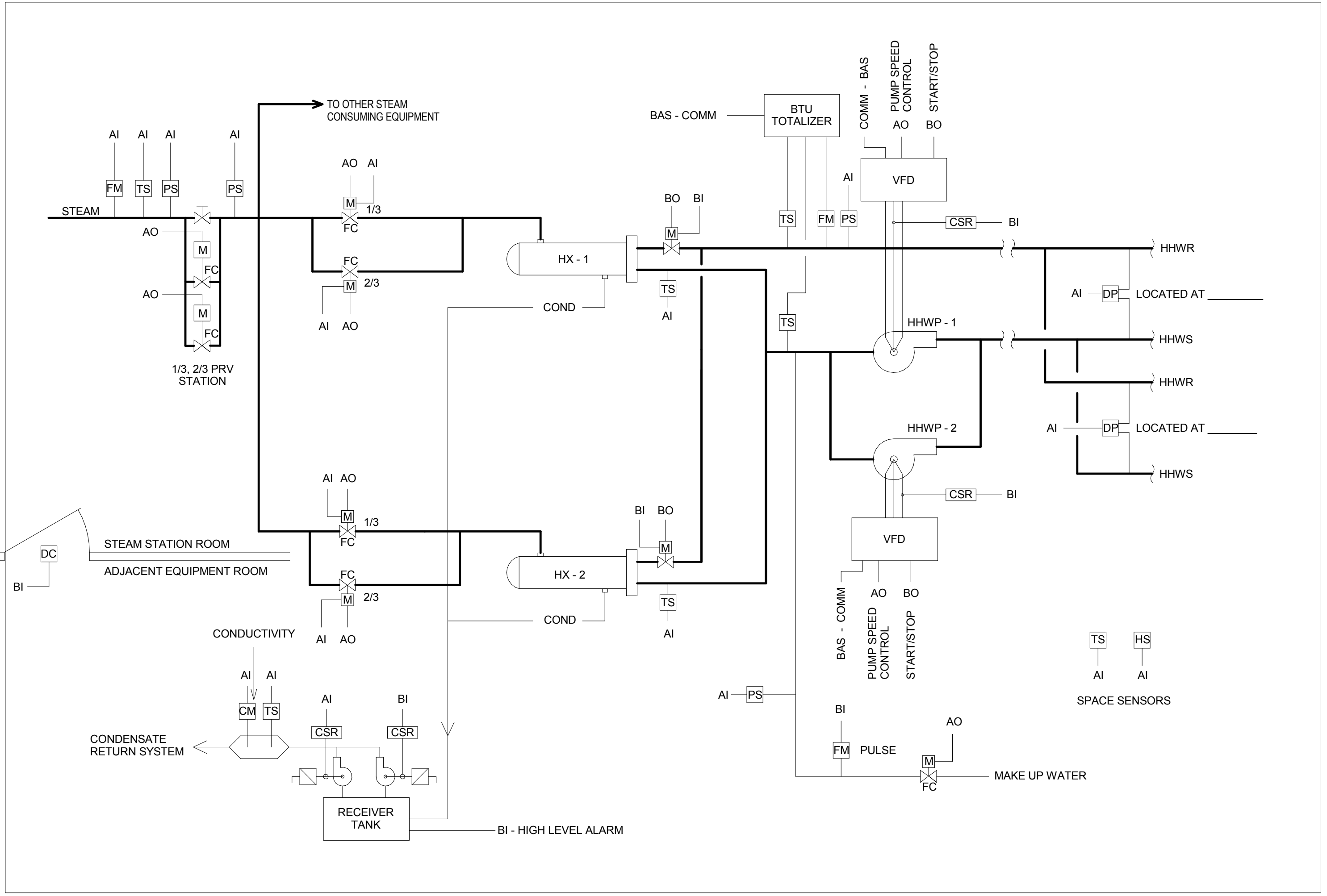
DESIGNED BY

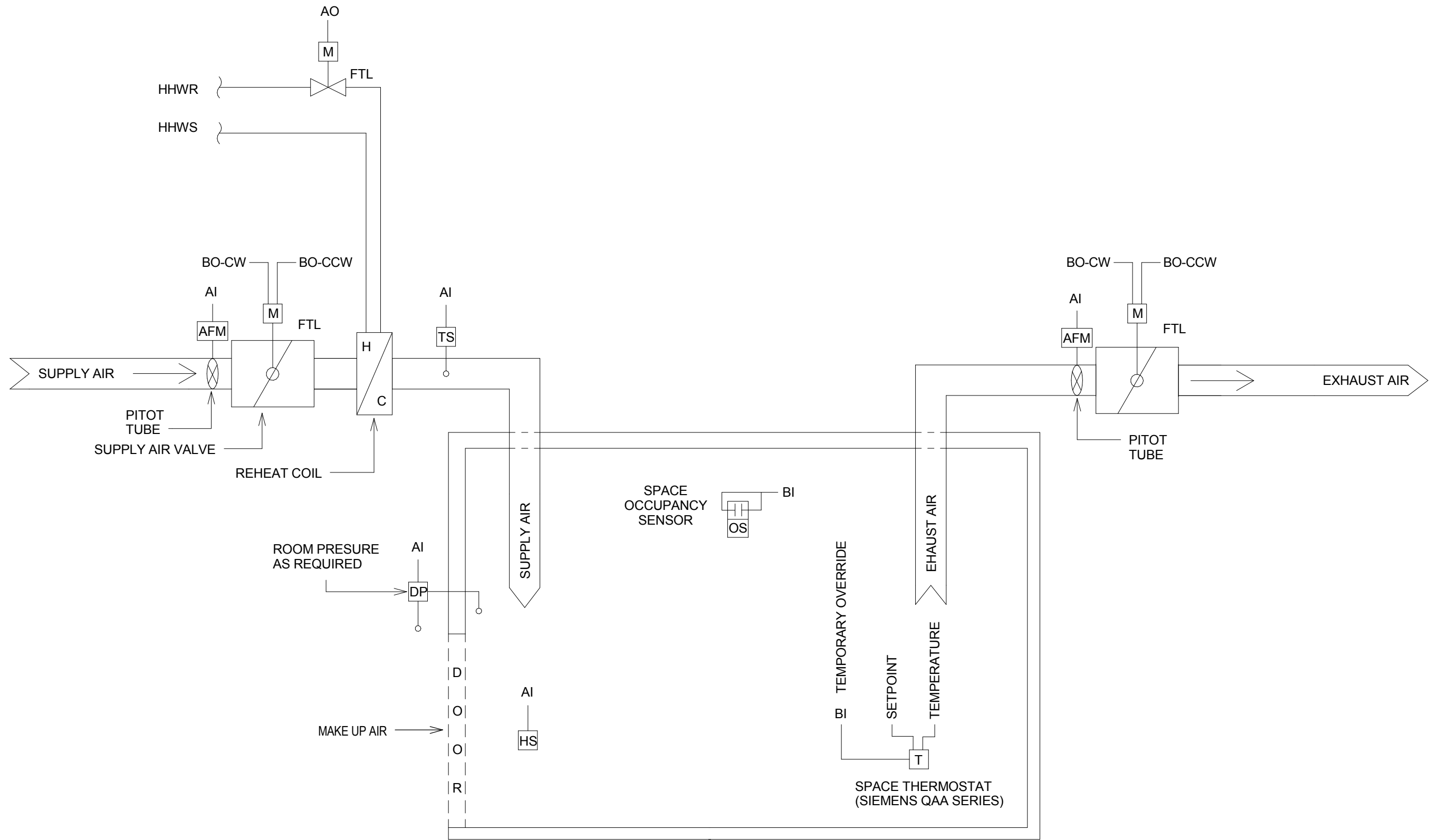
11034

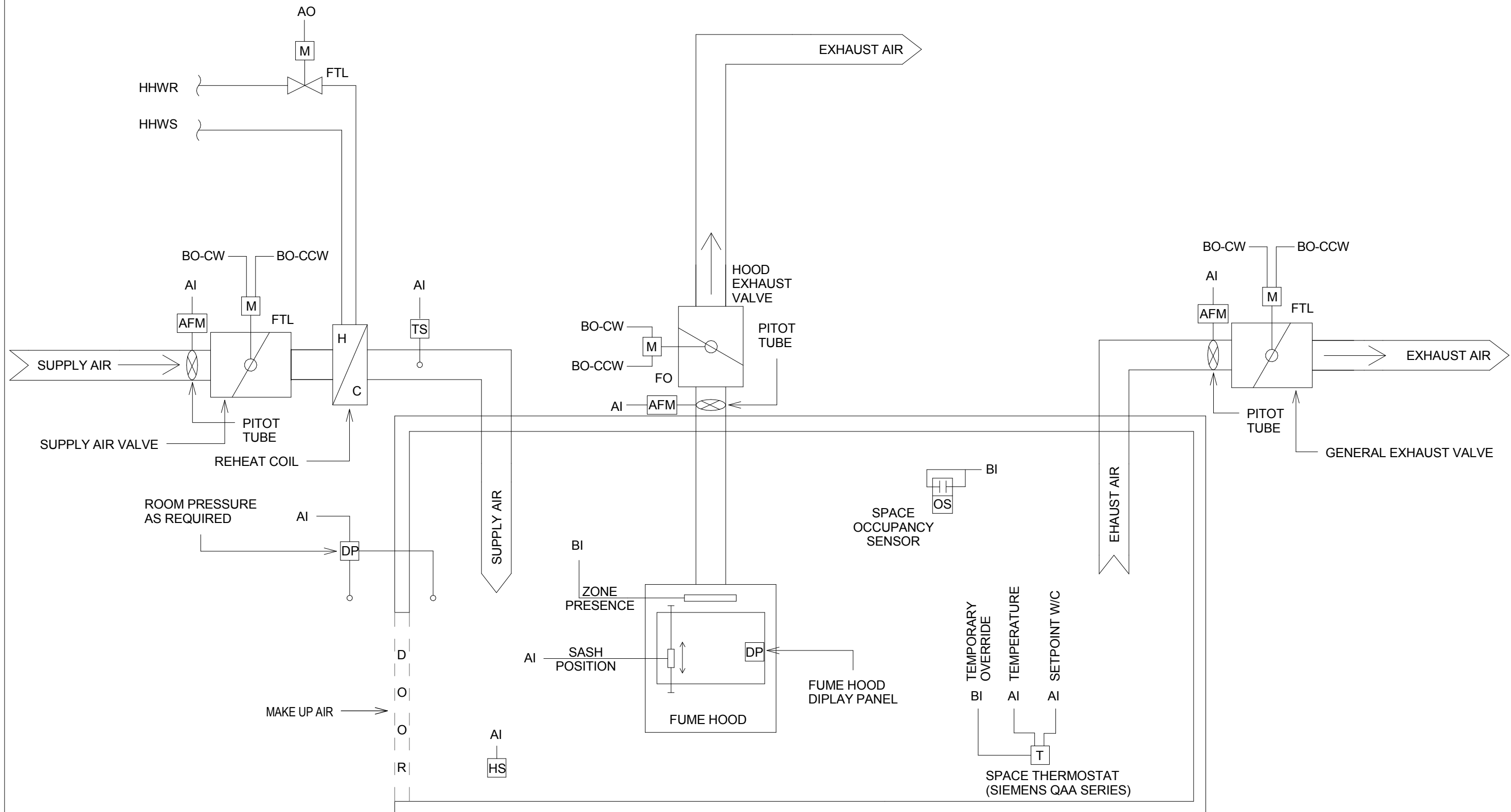
IC-9



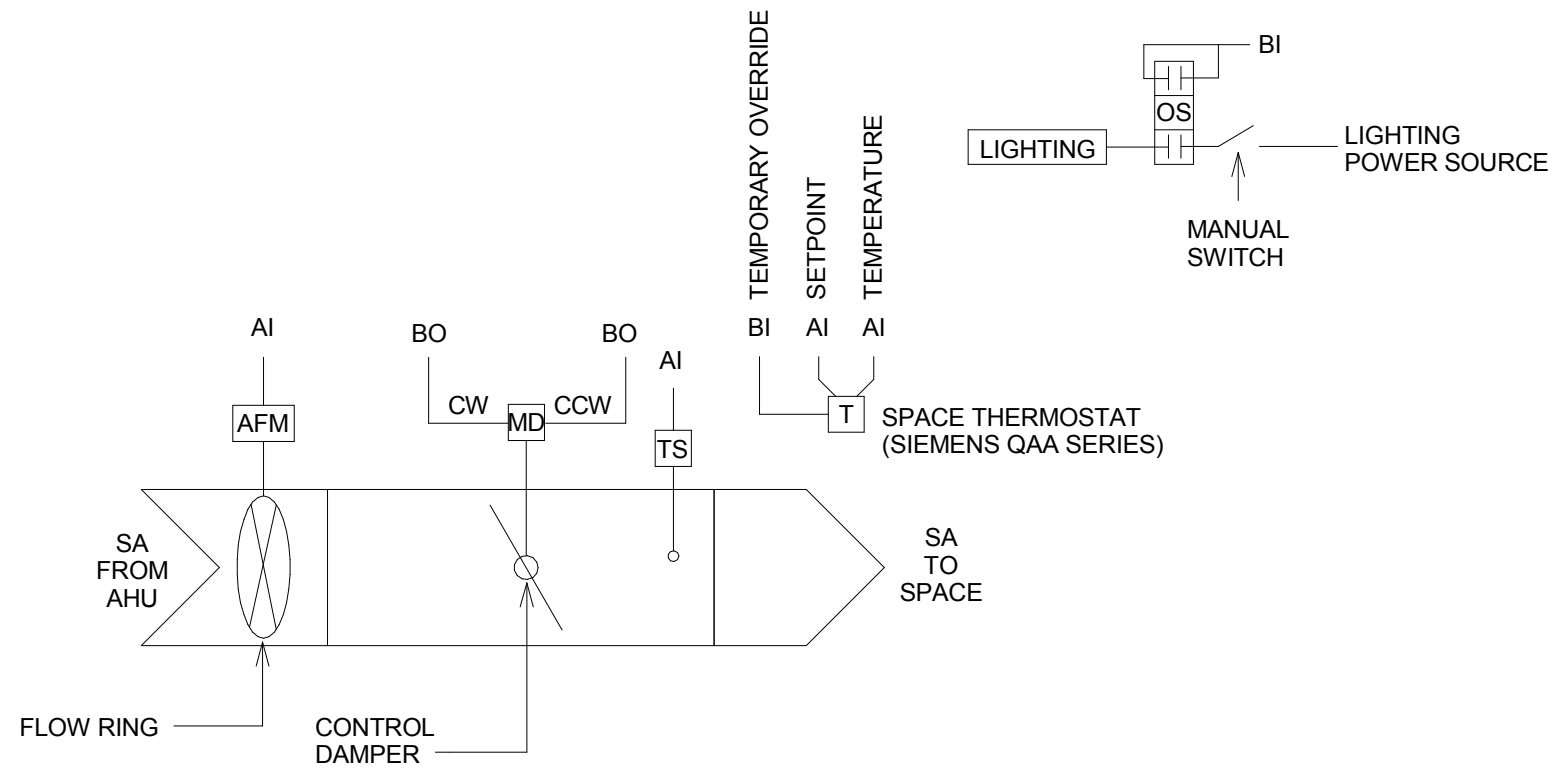












TITLE

**FSU CONTROL STANDARDS**

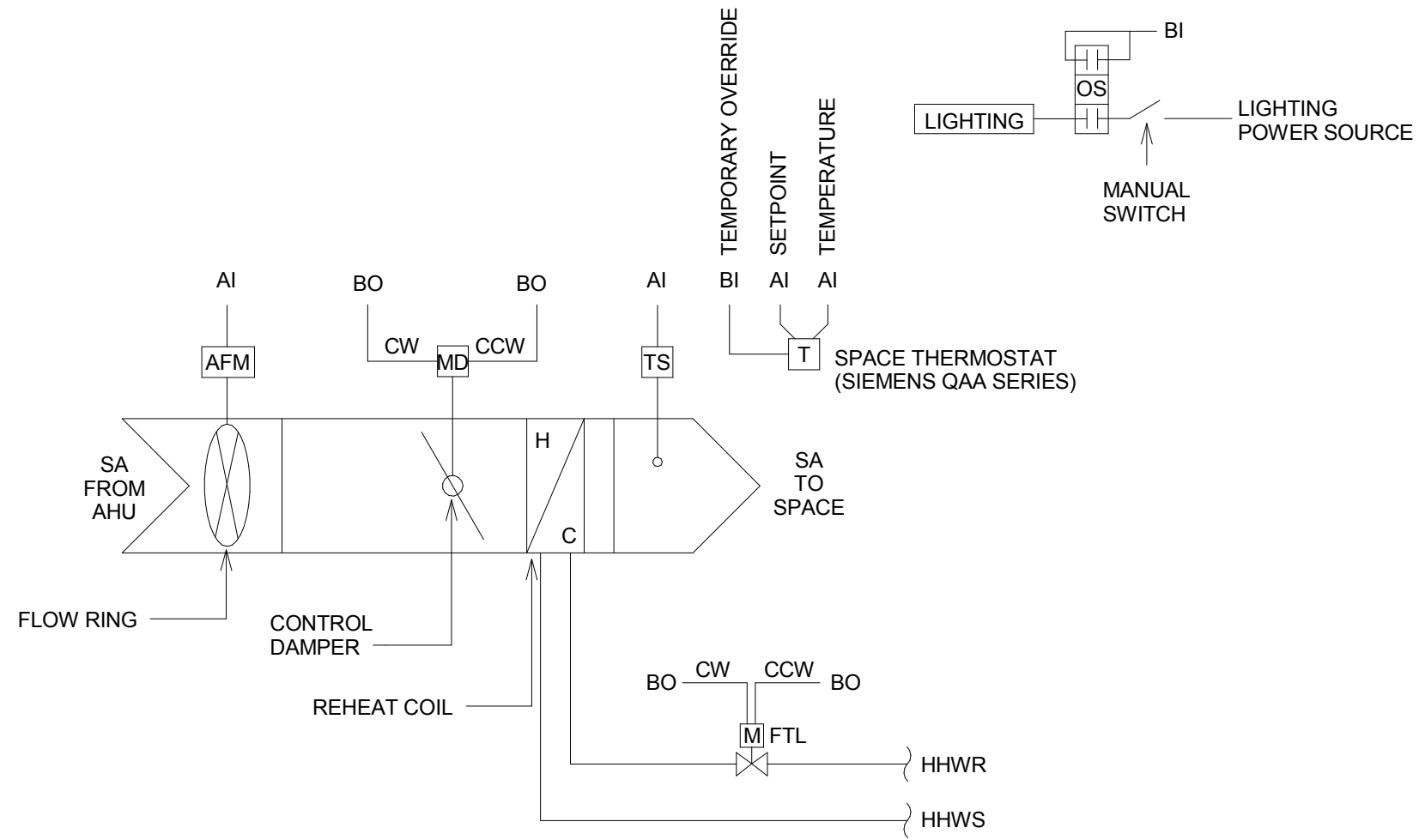
**VAV TERMINAL UNIT - COOLING ONLY**

DATE

DESIGNED BY

11034

IC-15



TITLE  
**FSU CONTROL STANDARDS  
 VAV TERMINAL UNIT - WITH REHEAT**

DATE

DESIGNED BY

11034

IC-16

